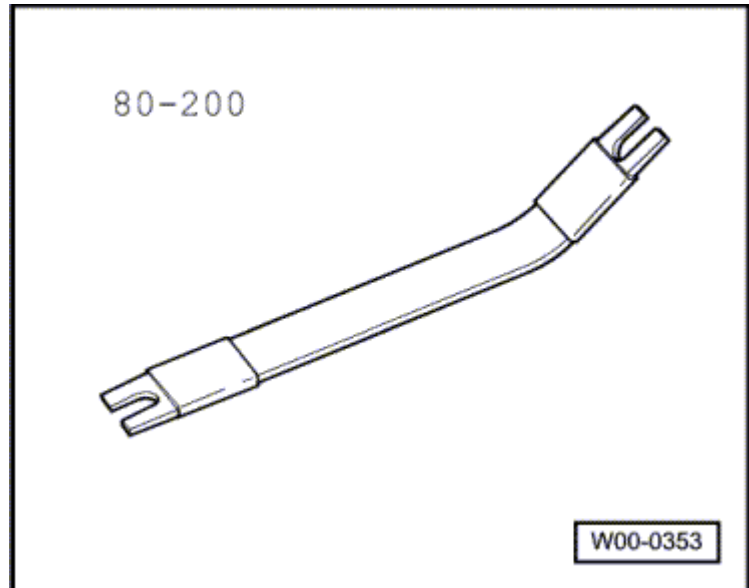


Servicing windscreen wiper system

Removing and installing windscreen wiper system

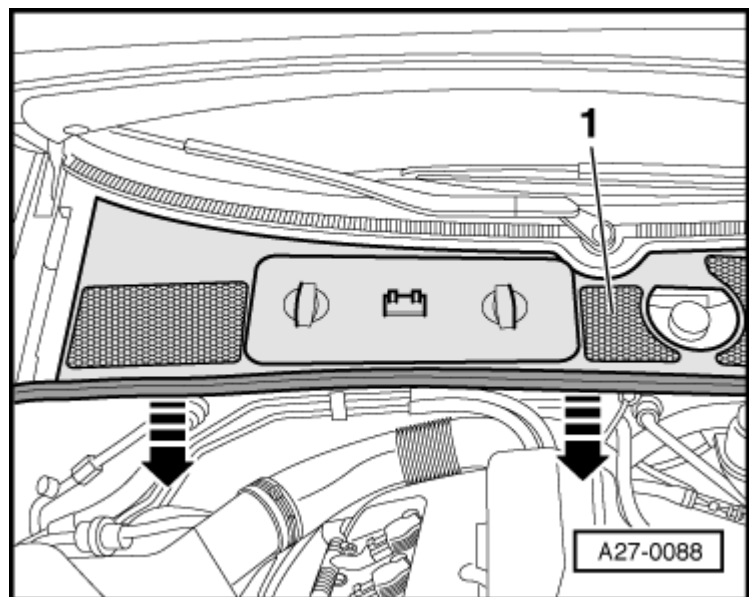
Special tools and workshop equipment required

- Pressing-off lever 80-200



Removing

- → Pull off rubber seal of plenum chamber cover in direction of arrow.
- Detach plenum chamber cover -1- to front.

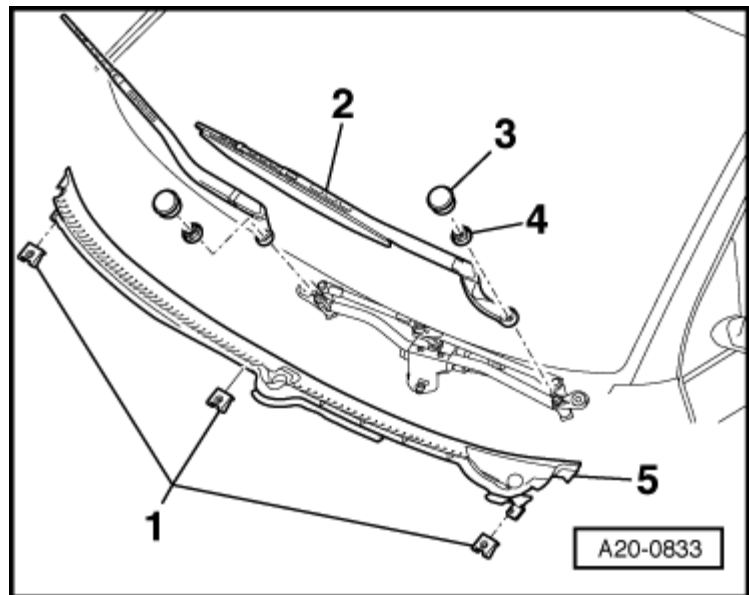


Detaching wiper arms

- Switch windscreen wipers on and off, allowing wiper arms to return to park position.
- → Use screwdriver to prise off

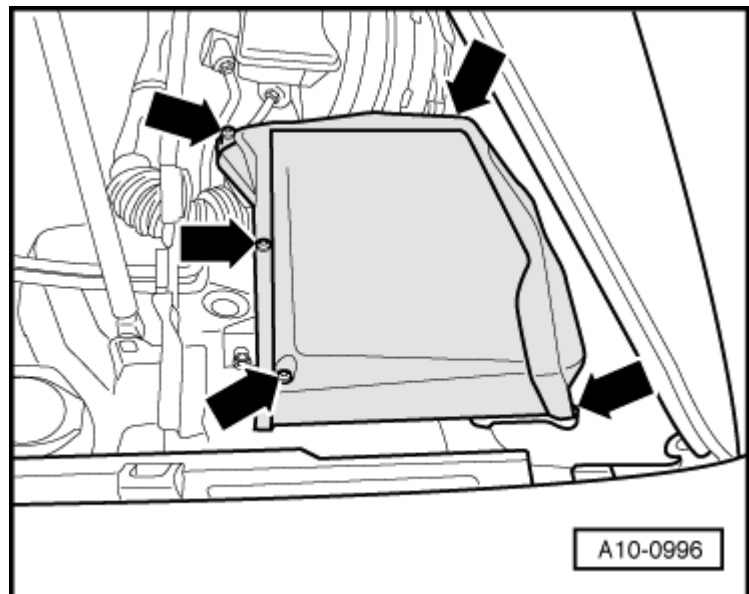
the two caps -3-.

- Slacken off hexagon nuts -4- by several turns.
- Detach wiper arms -2- from wiper shaft by tilting slightly.
- Completely unscrew hexagon nuts and detach wiper arms.
- Pull off securing clips -1- and detach cowl panel grille -5-.

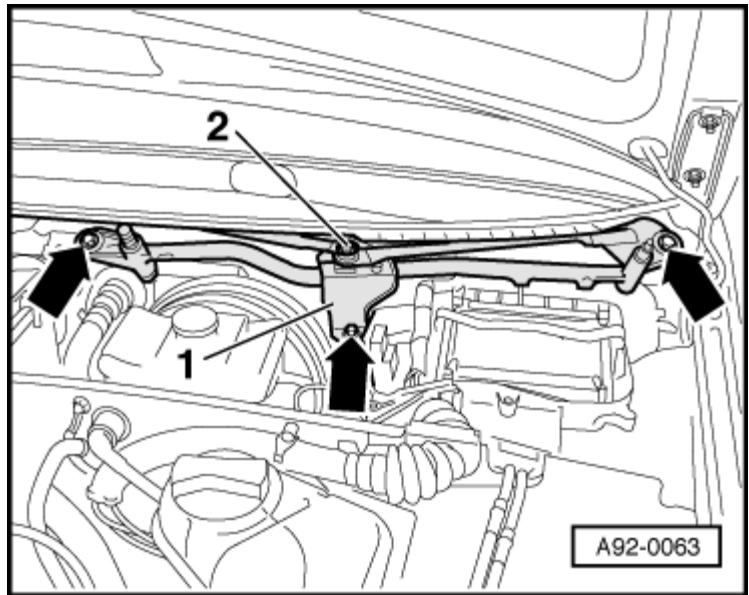


Removing wiper frame with linkage and wiper motor

- → Remove cover for electronics box in plenum chamber - arrows-.

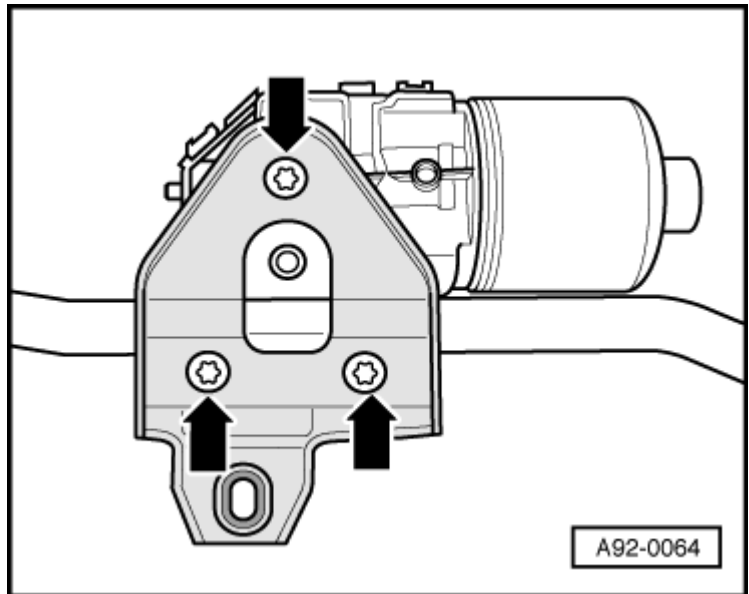


- → Use pressing-off lever 80-200 to prise wiper linkage -2- off ball end.
- Unscrew crank from wiper motor.
- Unclip pipe/hose guides at wiper frame.
- Screw out bolts -arrows- and detach entire wiper frame -1-.
- Unplug connector.



Detaching wiper motor from wiper frame

- → Unscrew wiper motor from wiper frame –arrows–.



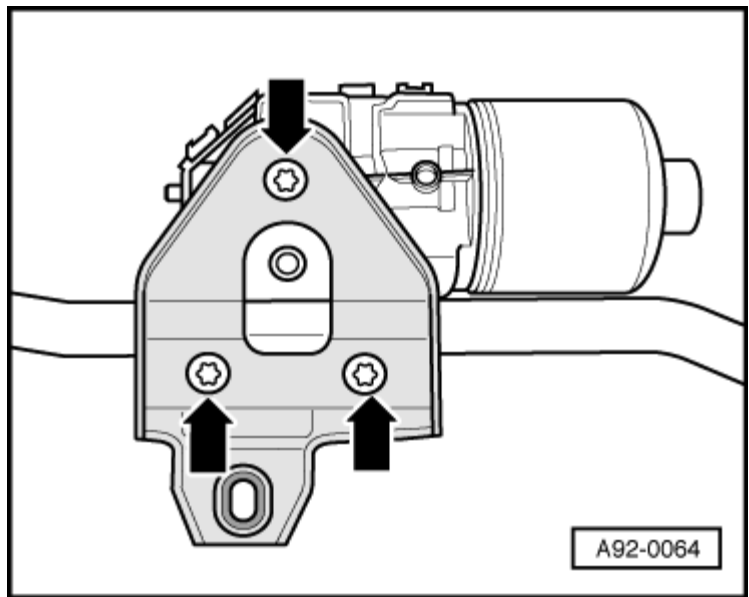
Installing

Install in reverse order, paying attention to the following:

- → Screw wiper motor without crank to wiper frame (9 Nm) –arrows–.
- Attach connector to wiper motor.
- Fit wiper motor with wiper

frame in vehicle (8 Nm).

- Actuate flick wipe function.
- Allow wiper motor to run into park position.

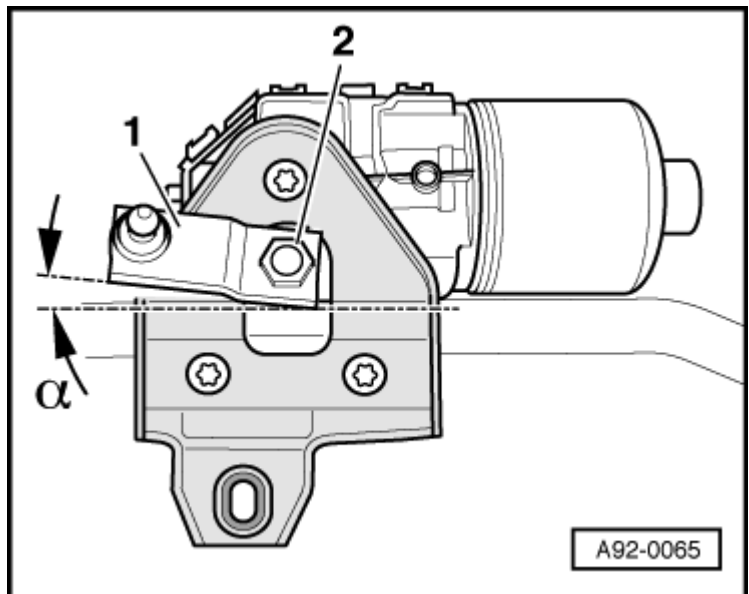


- → Align crank -1- with wiper frame and tighten nut -2- to 18 Nm.
- $\alpha = 2^\circ$

Note:

Wiper frame has been removed in Fig.

- Set park position of wiper blades => Page [92-7](#).



Tightening torque

Component	Nm
Wiper frame to plenum chamber	8